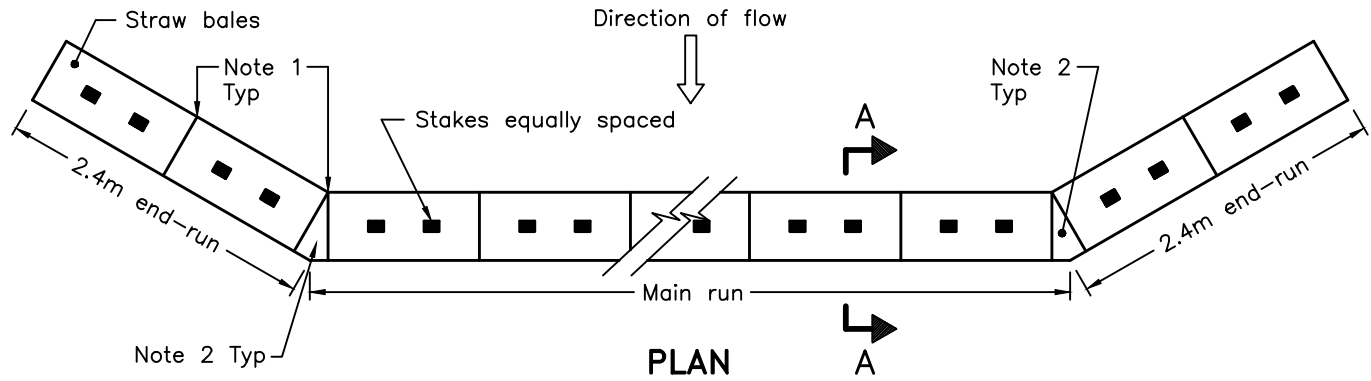
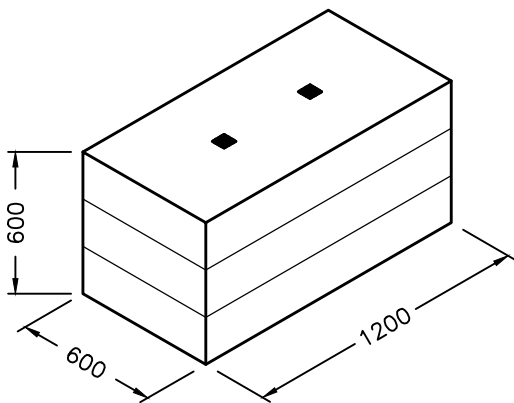


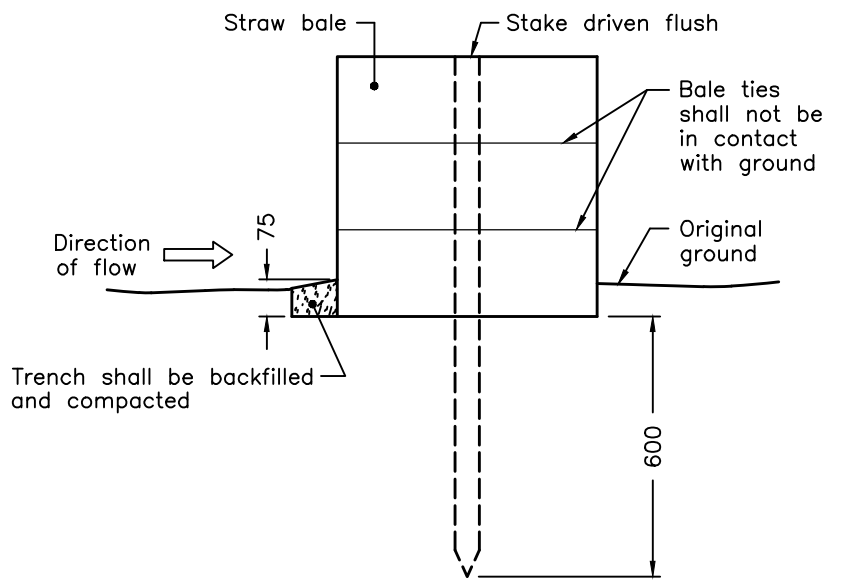
PERSPECTIVE VIEW



PLAN



ISOMETRIC VIEW



SECTION A-A

NOTES:

- 1 Straw bales shall be butted tightly against adjoining bales to prevent sediment flow through barrier.
- 2 Fill and compact gaps with loose straw.
- A All dimensions are in millimetres unless otherwise shown.

ONTARIO PROVINCIAL STANDARD DRAWING

Nov 2021 | Rev | 3

LIGHT-DUTY
STRAW BALE BARRIER

OPSD 219.100

